

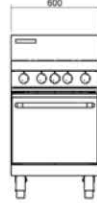

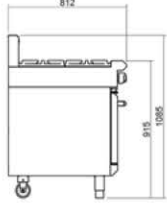



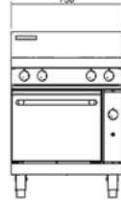

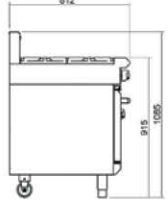


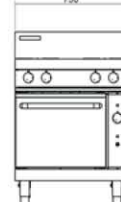

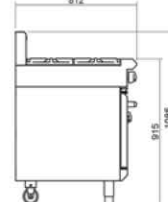


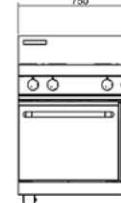

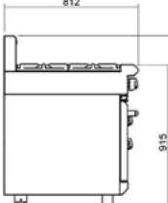


GAS OVEN RANGES

Model	Hob Options	Dimensions	Gas Power kW	Price (exc. VAT)
		600mm GAS RANGE	STATIC OVEN - 1/1 GN	
				
G504D			34.6	Price on application
G504C			26.6	
G504B			18.6	
		750mm GAS RANGE	STATIC OVEN - 1/1	
				
G505D			37	Price on application
G505C			29	
		750mm GAS RANGE	CONVECTION OVEN - 1/1	
				
G54D			37	Price on application
G54C			29	
		Electrical requirements: 0.13kW, 230-240Vac, 50/60Hz, 1P+N+E, 0.6A 3 PIN, 13A Cordset fitted		
		750mm GAS RANGE	ELECTRIC STATIC OVEN - 1/1 GN	
				
GE505D			28	Price on application
GE505C			20	
		Electrical requirements: 5.5kW, 230-240Vac, 50/60Hz, 1P+N+E, 23A standard or 5.5kW, 400-415Vac, 50/60Hz, 3P+N+E, 8A		

G504D

G505D

G54C

GE505D

Note: Flame failure standard on open burners. Standard machined finish smooth griddle plate supplied.
Choice of griddle surfaces: Simply order the optional griddle plate model number and unit is supplied with your nominated surface.

GAS OVEN RANGES

Model	Hob Options	Dimensions	Gas Power kW	Price (exc. VAT)
-------	-------------	------------	--------------	------------------



GE54D

750mm GAS RANGE | ELECTRIC CONVECTION OVEN - 1/1 GN

GE54D

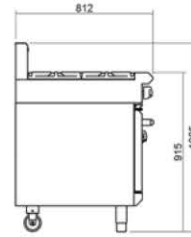
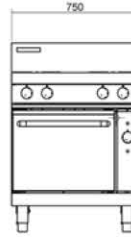


GE54C



Electrical requirements:

5.6kW, 230-240Vac,
50/60Hz, 1P+N+E, 23.3A
standard or 5.6kW, 400-415Vac,
50/60Hz, 3P+N+E, 8A





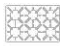
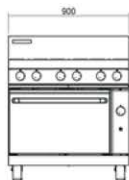
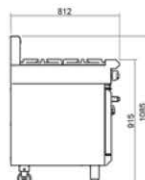



28

20

Price on application




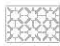
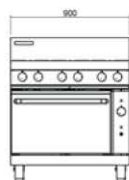
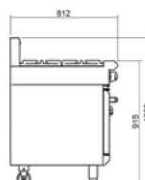



Note: Flame failure standard on open burners. Standard machined finish smooth griddle plate supplied.
Choice of griddle surfaces: Simply order the optional griddle plate model number and unit is supplied with your nominated surface.

GAS OVEN RANGES

Model	Hob Options	Dimensions	Gas Power kW	Price (exc. VAT)
		900mm GAS RANGE STATIC OVEN - 2/1 GN		 
G506D		 	51	Price on application
G506C			43	
G506B			35	
G506A			27	





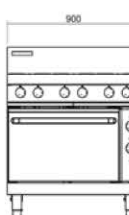
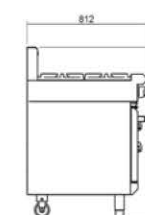



G506D



		900mm GAS RANGE CONVECTION OVEN - 2/1		  
G56D		 	51	Price on application
G56C			43	
G56B			35	
G56A			27	
Electrical requirements:				
0.13kW, 230-240Vac, 50/60Hz, 1P+N+E, 0.6A 3 PIN, 13A Cordset fitted				





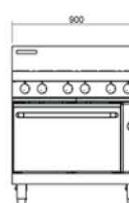
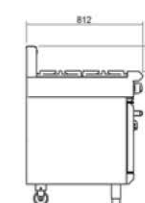



G56D



		900mm GAS RANGE ELECTRIC STATIC OVEN - 2/1		  
GE506D		 	42	Price on application
GE506C			34	
GE506B			26	
GE506A			18	
Electrical requirements:				
Standard Supply 6.5kW, 230-240Vac, 50/60Hz, 1P+N+E, 27A standard or 6.5kW, 400-415Vac, 50/60Hz, 3P+N+E, 10A				

GE506D



		900mm GAS RANGE ELECTRIC CONVECTION OVEN - 2/1GN		  
GE56D		 	42	Price on application
GE56C			34	
GE56B			26	
GE56A			18	
Electrical requirements:				
Standard Supply 6.6kW, 230-240Vac, 50/60Hz, 1P+N+E, 27.7A standard or 6.6kW, 400-415Vac, 50/60Hz, 3P+N+E, 10A				

GE56D







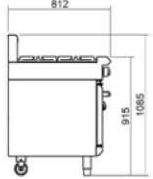



Note: Flame failure standard on open burners. Standard machined finish smooth griddle plate supplied.

Choice of griddle surfaces: Simply order the optional griddle plate model number and unit is supplied with your nominated surface.

Luxia / Nce catering & refrigeration equipment
51 Higher dunscair
Egerton, Bolton





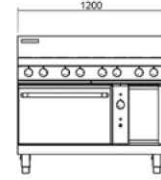
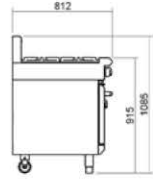



Tel: 01204 591111 Fax: 01204 595858
E mail: sales@luxia-nce.co.uk

GAS OVEN RANGES

Model	Hob Options	Dimensions	Gas Power kW	Price (exc. VAT)
		1200mm GAS RANGE STATIC OVEN - 2/1 GN		 
G508D		 	65	Price on application
G508C			57	
G508B			49	
G508A			41	





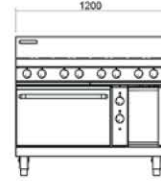
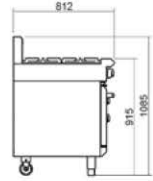



G508D



		1200mm GAS RANGE CONVECTION OVEN - 2/1		  
G58D		 	65	Price on application
G58C			57	
G58B			49	
G58A			41	
Electrical requirements:: 0.13kW, 230-240Vac, 50/60Hz, 1P+N+E, 0.6A 3 PIN, 13A Cordset fitted				





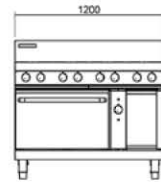
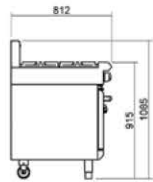



G58D



		1200mm GAS RANGE ELECTRIC STATIC OVEN - 2/1		  
GE508D		 	56	Price on application
GE508C			48	
GE508B			40	
GE508A			24	
Electrical requirements: Standard Supply 6.5kW, 230-240Vac, 50/60Hz, 1P+N+E, 27A standard or 6.5kW, 400-415Vac, 50/60Hz, 3P+N+E, 10A				

GE508D



		1200mm GAS RANGE ELECTRIC CONVECTION OVEN - 2/1 GN		  
GE58D		 	56	Price on application
GE58C			48	
GE58B			40	
GE58A			24	
Electrical requirements: Standard Supply 6.6kW, 230-240Vac, 50/60Hz, 1P+N+E, 27.7A standard or 6.6kW, 400-415Vac, 50/60Hz, 3P+N+E, 10A				

GE58D



Note: Flame failure standard on open burners. Standard machined finish smooth griddle plate supplied.

Choice of griddle surfaces: Simply order the optional griddle plate model number and unit is supplied with your nominated surface.

Luxia / Nce catering & refrigeration equipment
 51 Higher dunscair
 Egerton, Bolton

Tel: 01204 591111 Fax: 01204 595858
 E mail: sales@luxia-nce.co.uk

GAS DOUBLE OVEN RANGES

Model	Hob Options	Dimensions	Gas Power kW	Price (exc. VAT)
-------	-------------	------------	--------------	------------------



G528D

1200mm GAS RANGE | DOUBLE STATIC OVEN - 2 x 1/1 GN



Model	Hob Options	Dimensions	Gas Power kW	Price (exc. VAT)
G528D			69.2	Price on application
G528C			61.2	Price on application
G528B			53.2	Price on application
G528A			45.2	Price on application

Note: Flame failure standard on open burners. Standard machined finish smooth griddle plate supplied.
 Choice of griddle surfaces: Simply order the optional griddle plate model number and unit is supplied with your nominated surface.

Luxia / Nce catering & refrigeration equipment
 51 Higher dunscair
 Egerton, Bolton

Tel: 01204 591111 Fax: 01204 595858
 E mail: sales@luxia-nce.co.uk

GAS OVEN RANGES

Model	Description	Price (exc. VAT)
300mm		
OPTIONAL GRIDDLE PLATE SURFACE – RIBBED		
PG312R3*	300mm x 12mm Griddle plate – ribbed full	Price on application

600mm		
OPTIONAL GRIDDLE PLATE SURFACES – RIBBED		
PG612R3*	600mm x 12mm Griddle plate – ribbed 300mm RH	Price on application
PG612R6*	600mm x 12mm Griddle plate – ribbed full	

900mm		
OPTIONAL GRIDDLE PLATE SURFACES – RIBBED		
PG912R3*	900mm x 12mm Griddle plate – ribbed 300mm RH	Price on application
PG912R5*	900mm x 12mm Griddle plate – ribbed 450mm RH	
PG912R9*	900mm x 12mm Griddle plate – ribbed full	

1200mm		
OPTIONAL GRIDDLE PLATE SURFACES – RIBBED		
PG912R3*	900mm x 12mm Griddle plate – ribbed 300mm RH	Price on application
PG912R6*	900mm x 12mm Griddle plate – ribbed 600mm RH	
PG912R9*	900mm x 12mm Griddle plate – ribbed full	

OPTIONAL EXTRAS GAS OVEN RANGES

227896	Oven rack for 900mm ovens	Price on application
228106	Oven rack for 600mm ovens	
228807	Mobile castor kit (set of 2 lockable)	
Flex3/4/51	Flexihose 3/4 (flexible quick coupling hose & tether chain)	
230013	Bench shield, fits LH or RH of open burners	
UKSP4	Splashback, overshelf for 4 burner ranges	
UKSP6	Splashback, overshelf and grill shelf for 6 burner ranges	
UKSP8	Splashback, overshelf for 8 burner range	

Note: The standard plate is not included when ordering an optional griddle plate surface.
*Options must be specified at the placement of order.

Luxia / Nce catering & refrigeration equipment
51 Higher dunscair
Egerton, Bolton

Tel: 01204 591111 Fax: 01204 595858
E mail: sales@luxia-nce.co.uk

BLUE SEAL EVOLUTION SERIES®