

Technical data sheet for

GAS RANGE DOUBLE STATIC OVEN 1200mm

G528D, G528C, G528B, G528A

- Heavy-duty construction
- 7kW open burners
- Flame failure standard
- Pilot burners optional
- 300mm, 600mm, and 900mm griddle plate options
- Optional simmer plates
- Two GN 1/1 gas static ovens
- Drop down doors
- Rear rollers
- Stainless steel exterior
- Easy clean
- Easy service
- Fully modular



G528D

Overall Construction

- Galvanized steel chassis
- Welded hob with 1.5mm 304 stainless steel bull nose
- Hob sides 1.2mm 304 stainless steel
- Splashback 1.2mm 304 stainless steel
- Oven sides 0.9mm 304 stainless steel
- Enamelled control panel
- 63mm dia. heavy-duty 1.2mm 304 stainless steel adjustable legs at front and two rollers at rear

Cooktop

- Cast iron 7kW open burners with forged brass cap
- Enamelled cast iron potstands
- Enamelled open burner spill covers
- Cast iron simmer plates (optional extra)
- 12mm thick mild steel griddle plates
- 2.5mm 304 stainless steel griddle splash guards
- Stainless steel spill trays
- Aluminised steel internal construction

Griddle sections are standard on RH side. Available on LH side or centre to order or by conversion.

Ovens (each)

- Fully welded and enamelled oven liner
- Two GN 1/1 gas static ovens
- Heavy-duty easy remove heavy wire chrome rack supports
- Cast iron even heat oven sole plate
- 6.6kW oven burner
- Pilot and flame failure
- Drop down door
- 0.9mm 304 stainless steel door outer
- 1.0mm enamelled door inner
- High density fibreglass insulated
- Supplied with two chrome wire oven racks

Controls

- Large easy use control knob - heat resistant reinforced
- Easy view control settings on knob

Cooktop

- Variable high to low controls to open burners
- Open burners flame failure standard with pilot burners optional
- Variable high to low controls to griddles
- Griddles standard with pilot, flame failure and piezo ignition

Ovens

- 100-270°C thermostatic control
- Flame failure

Cleaning and Servicing

- All models with easy clean stainless steel external finish
- Lift off burner heads and enamelled burner spill covers
- Stainless steel spill trays under open burner and griddle sections
- Bottom sill removable for oven burner and pilot access
- Removable oven racking and sole plate
- Easy clean enamelled oven and door inner
- Access to all parts from front of unit

Technical data sheet for GAS RANGE DOUBLE STATIC OVEN 1200mm

Specifications

Burners

Open Burners 7kW dual flame ring with simmer rate
Griddle Burners 6kW per 300mm section
Oven (each) 6.6kW tubular under cast iron sole plate

Gas power (gross)

G528D 69.2kW, 237,000 Btu/hr
G528C 61.2kW, 209,000 Btu/hr
G528B 53.2kW, 181,500 Btu/hr
G528A 45.2kW, 154,000 Btu/hr

Griddle Plate

300mm Griddle cooking surface
292mm x 475mm, 1387cm²
600mm Griddle cooking surface
592mm x 475mm, 2812cm²
900mm Griddle cooking surface
892mm x 475mm, 4237cm²

Oven Dimensions (each)

Width 500mm
Depth 590mm
Height 385mm
Rack size 495mm x 540mm
Rack positions 4

Gas connection

R³/₄ (BSP) male
Optional underside connection, please specify when ordering
All units supplied with Natural and LP gas regulator

Dimensions

Width 1200mm
Depth 812mm
Height 915mm
Incl. splashback 1085mm

Nett weight

302kg

Packing data

1.36m³, 383kg
Width 1245mm
Depth 870mm
Height 1255mm

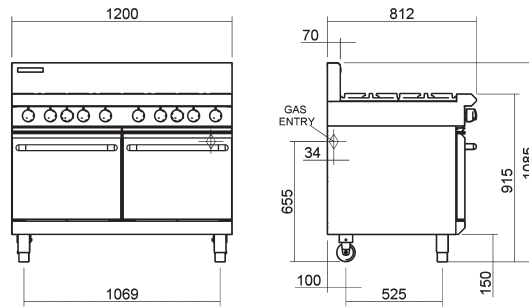
Gas types

Available in Natural gas and LP gas, please specify when ordering
Units supplied complete with gas type conversion kits

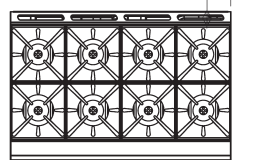
Options

Adjustable feet at rear
Simmer plates (replaces Potstand)
Ribbed griddle plates
Joining caps
Castors

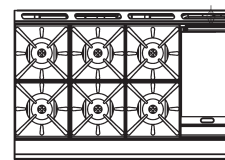
G528



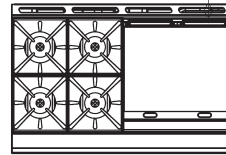
G528D



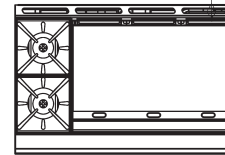
G528C



G528B



G528A



BLUE SEAL

www.blueseal.co.uk
www.bluesealevolution.com

United Kingdom Blue Seal Limited

Unit 67
Gravelly Business Park
Gravelly
Birmingham B24 8TQ
England
Telephone 0121-327 5575
Facsimile 0121-327 9711
Email sales@blue-seal.co.uk
www.blue-seal.co.uk

Australia Moffat Pty Limited

740 Springvale Rd
Mulgrave
Victoria 3170
Australia
Telephone 03-9518 3888
Facsimile 03-9518 3833
Email vsales@moffat.com.au
www.moffat.com.au

New Zealand Moffat Limited

16 Osborne St
PO Box 10-001
Christchurch 8011
New Zealand
Telephone 03-389 1007
Facsimile 03-389 1276
Email sales@moffat.co.nz
www.moffat.co.nz



Designed and manufactured by

MOFFAT

ISO9001
All Blue Seal products are designed and manufactured by Moffat using the internationally recognised ISO9001 quality management system, covering design, manufacture and final inspection, ensuring consistent high quality at all times.



In line with policy to continually develop and improve its products, Moffat Limited reserves the right to change specifications and design without notice.

Printed in China
© Copyright Moffat Ltd
Moffat/4825-UK/BH/2.5M/12.06



BLUE SEAL
EVOLUTIONSERIES